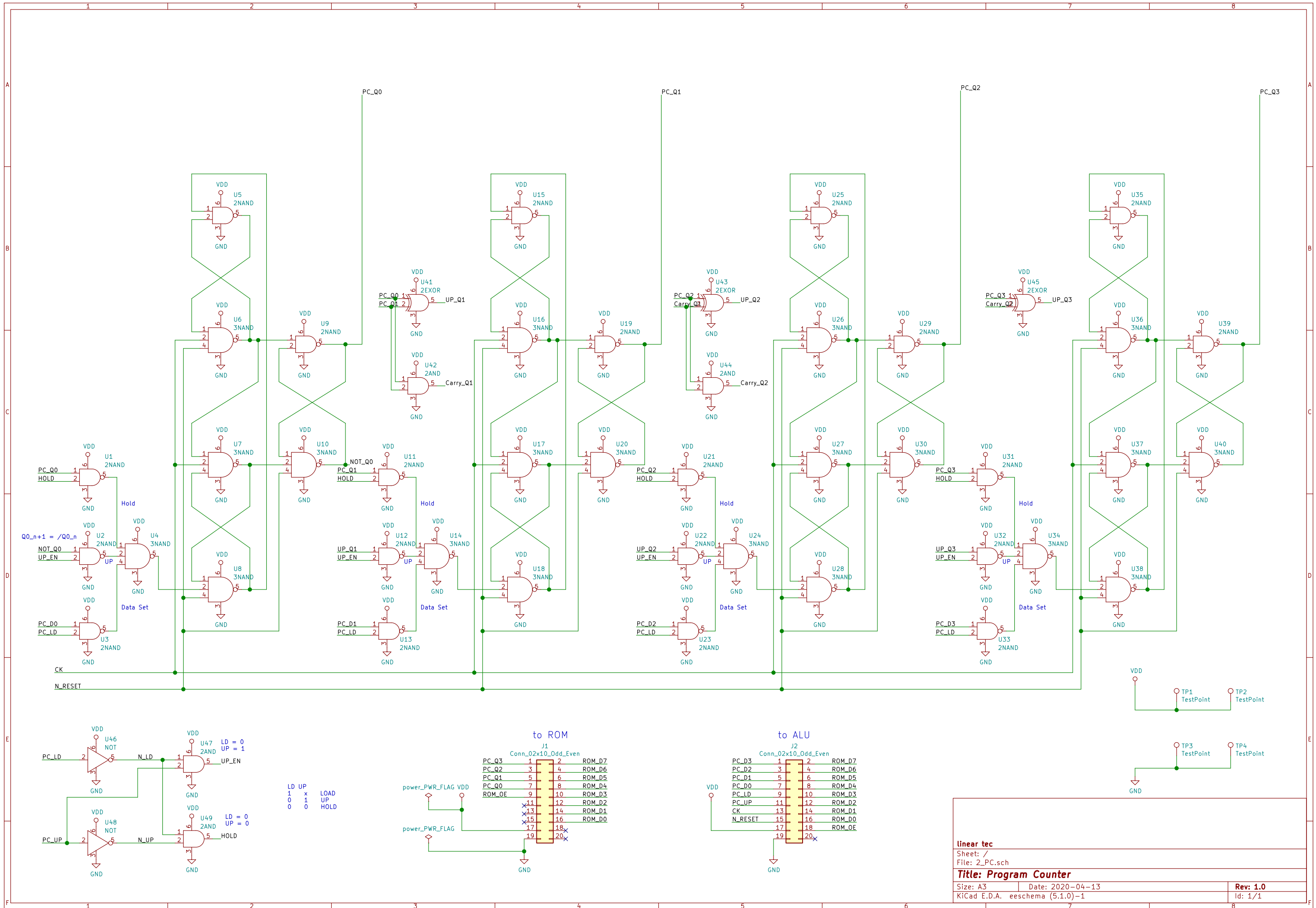


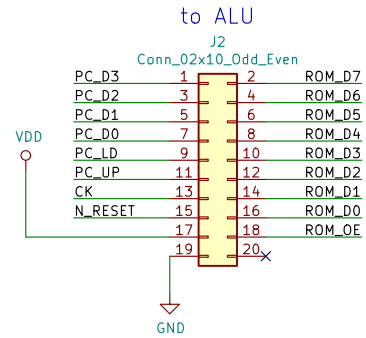
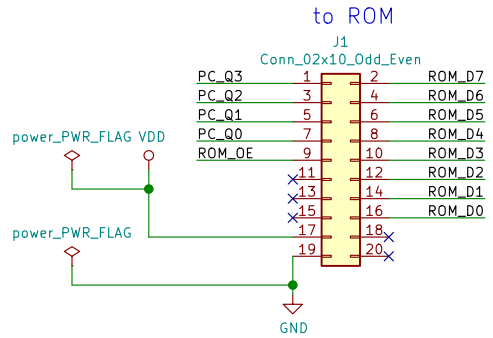
D1 to D128 : OSHR1608
D129 to D256 : BAT43XV2
R1 to R128 : 1k

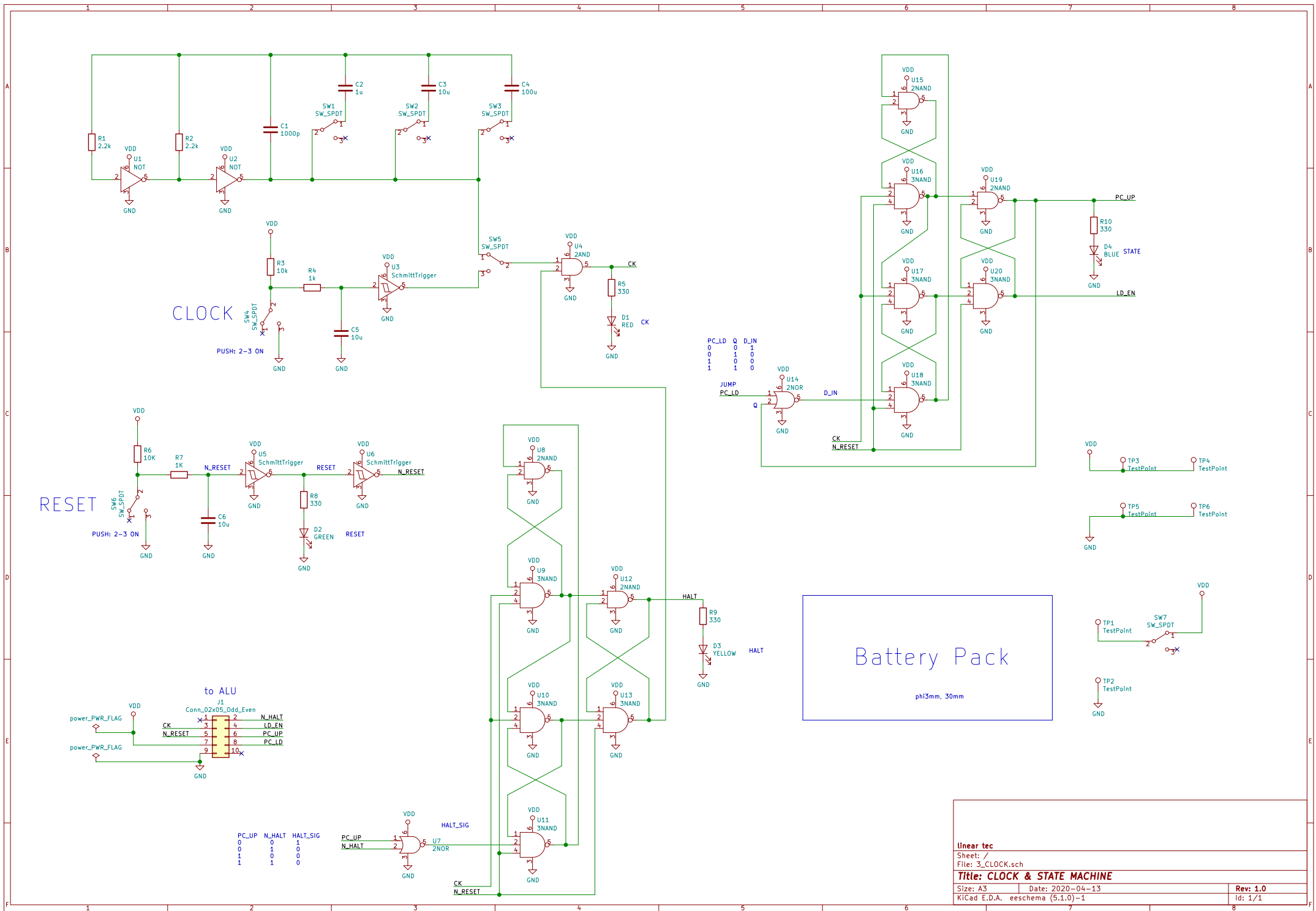
linear tec		
Sheet: /		
File: 1_ROM.sch		
Title: ROM		
Size: A3	Date: 2020-04-13	Rev: 1.0
KiCad E.D.A.	eeschema (5.1.0)-1	Id: 1/1

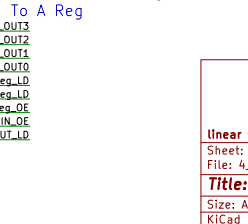
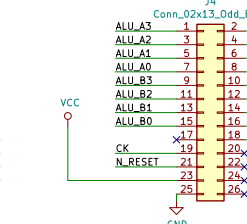
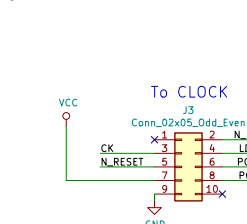
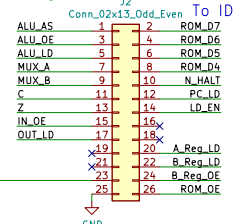
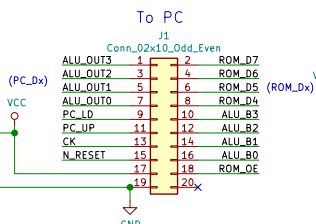
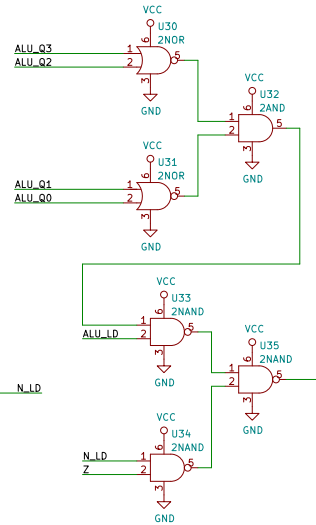
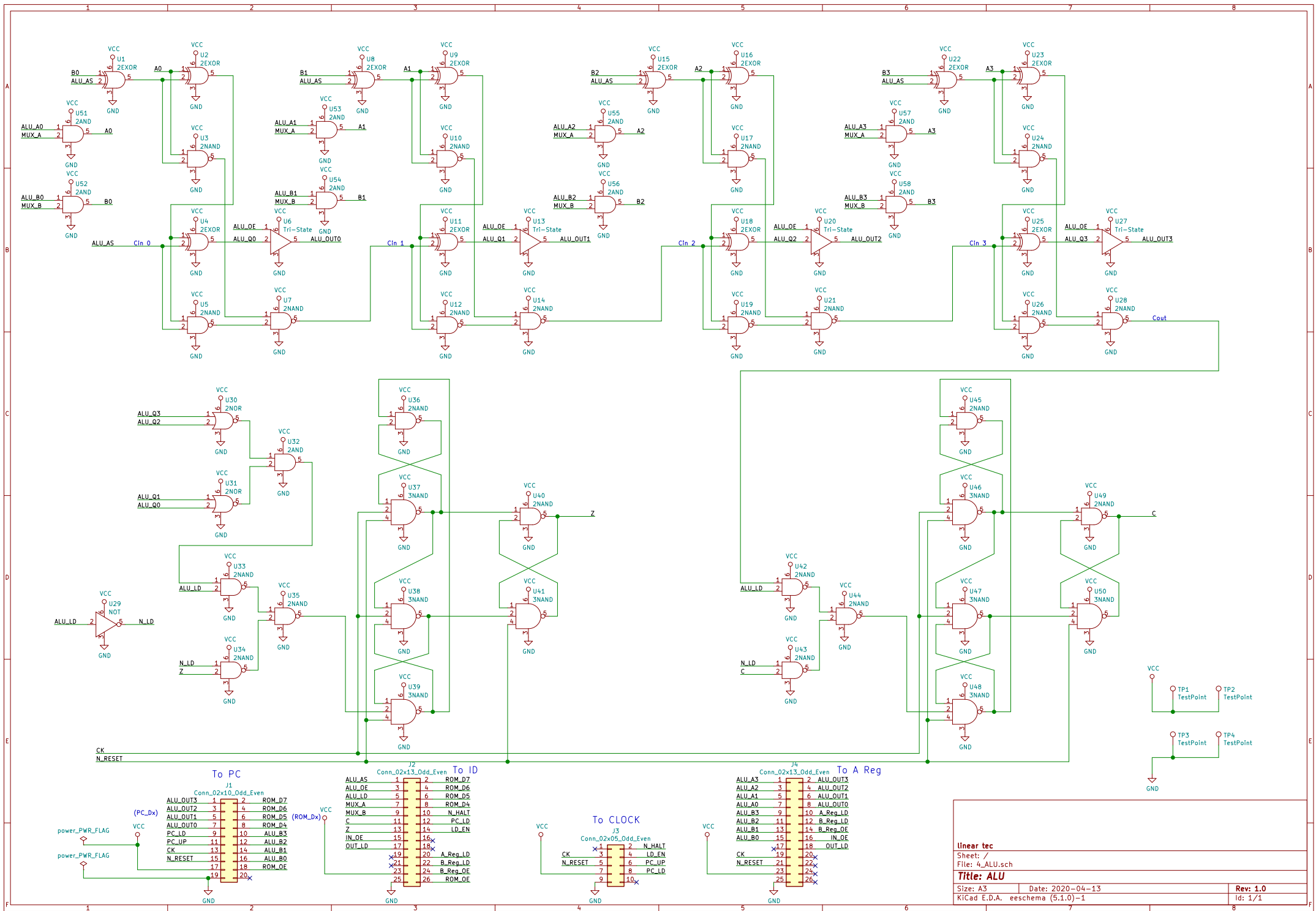


LD UP
 1 x
 0 0
 0 0

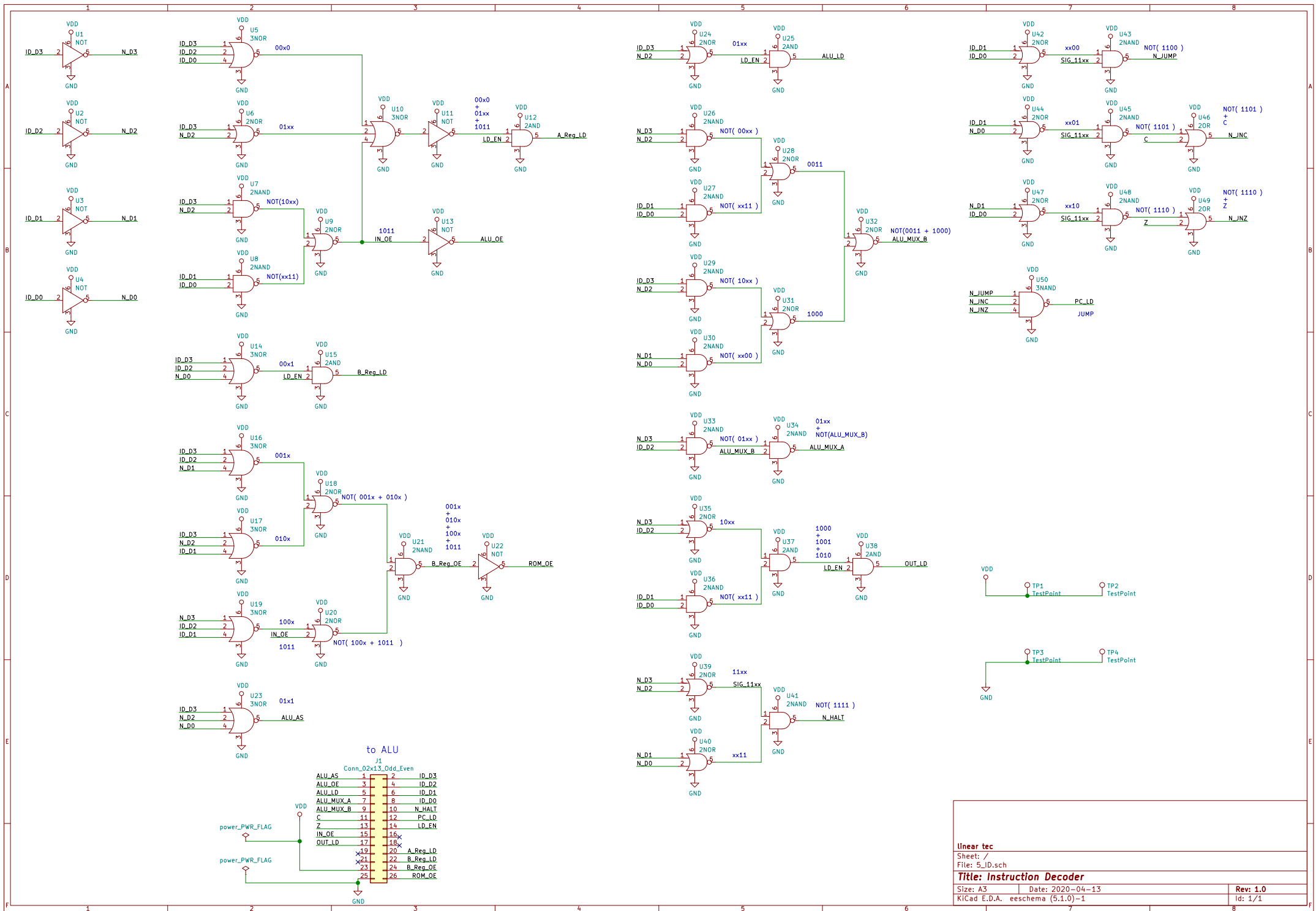
LOAD
 UP
 HOLD

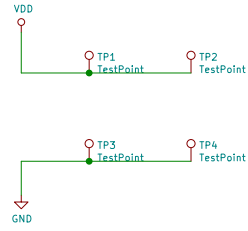
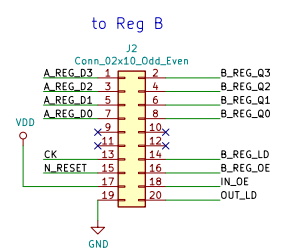
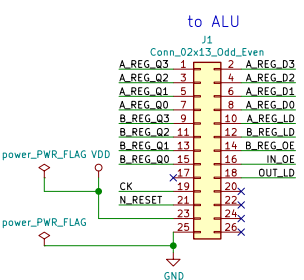
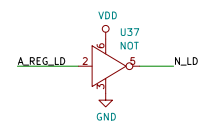
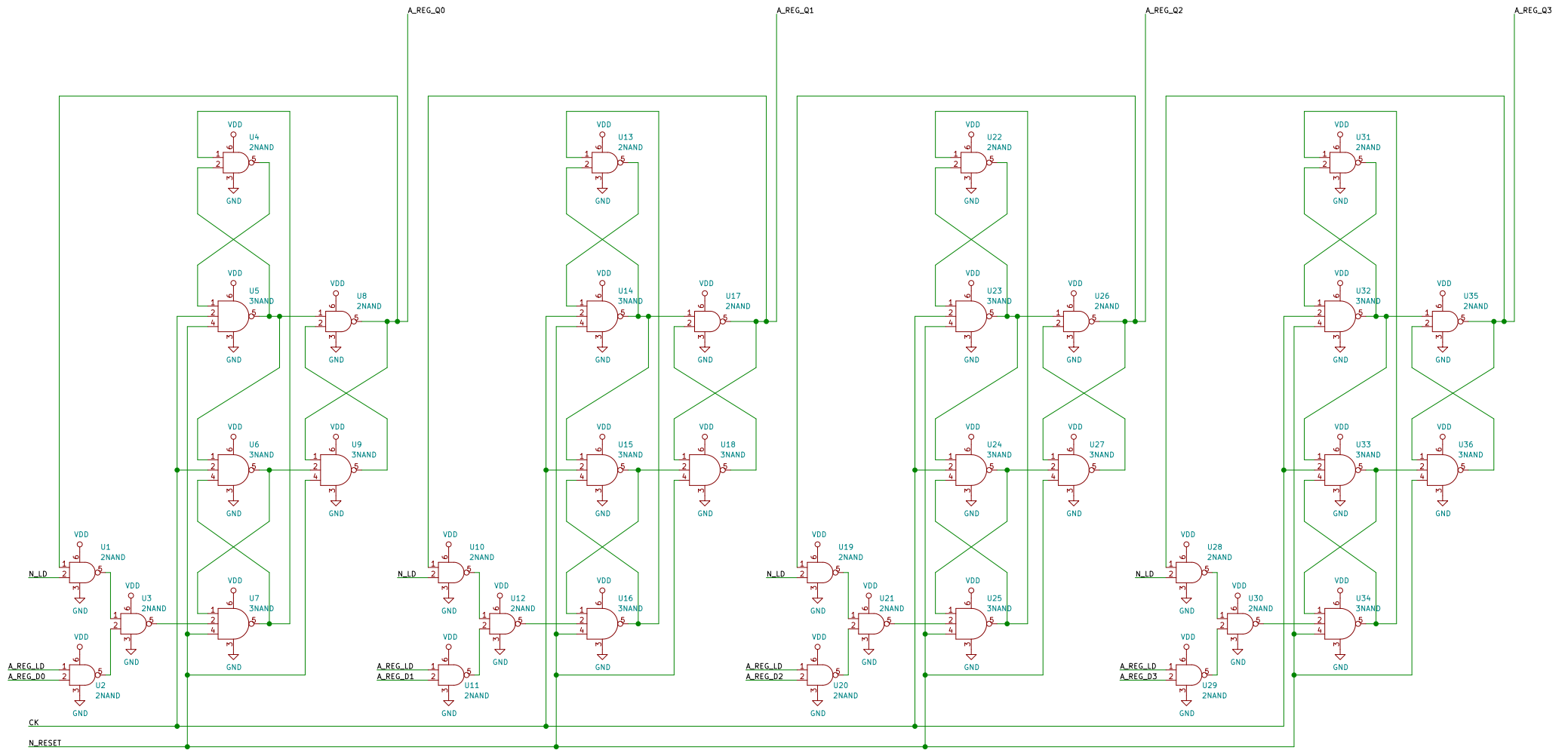




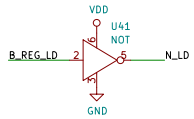
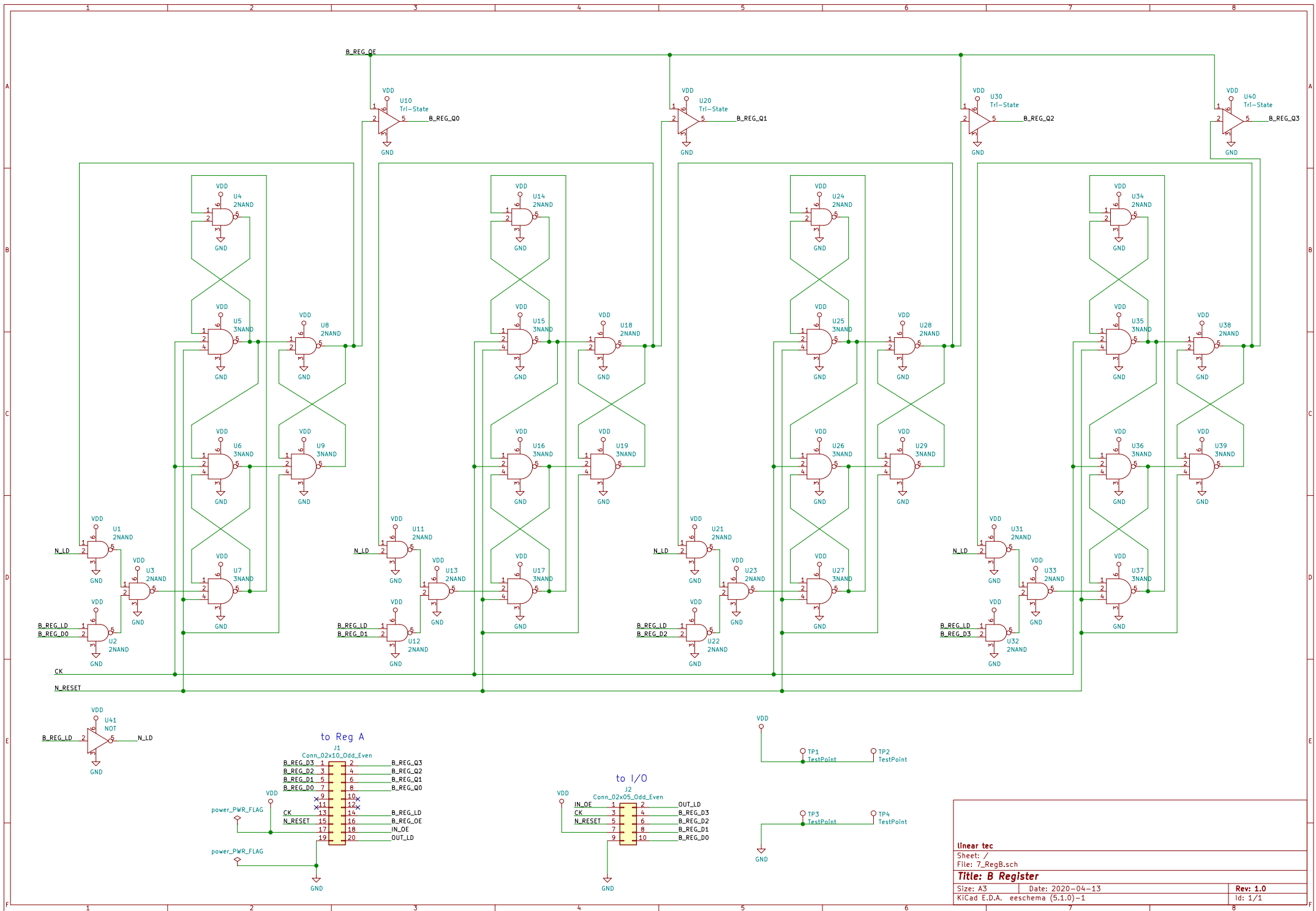


linear tec
 Sheet: /
 File: 4_ALU.sch
Title: ALU
 Size: A3 Date: 2020-04-13 Rev: 1.0
 KiCad E.D.A. eeschema (5.1.0)-1 Id: 1/1

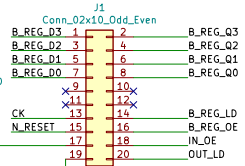




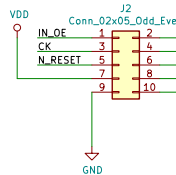
linear tec		
Sheet: /		
File: 6_RegA.sch		
Title: A Register		
Size: A3	Date: 2020-04-13	Rev: 1.0
KiCad E.D.A.	eeschema (5.1.0)-1	Id: 1/1



to Reg A



to I/O



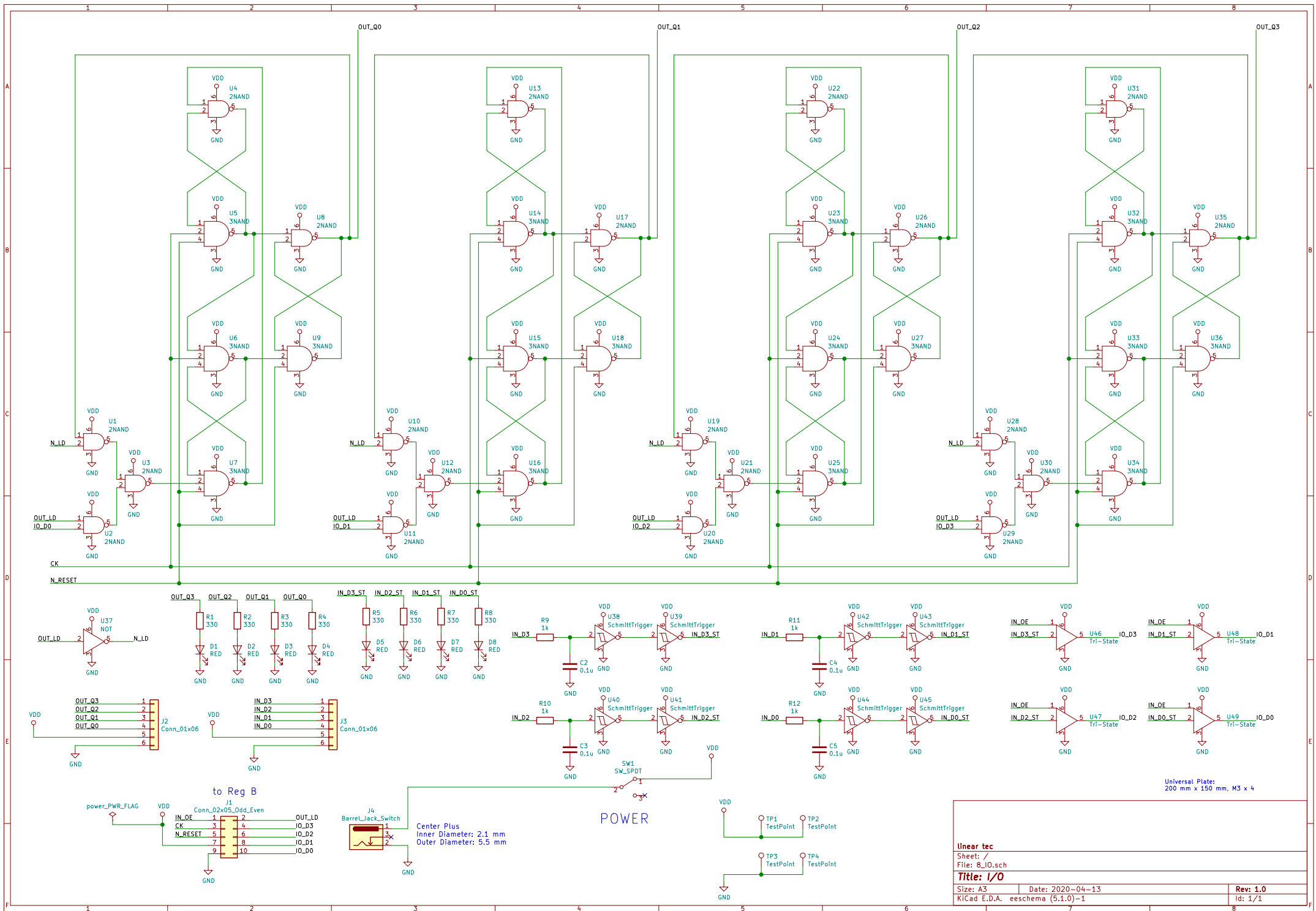
linear tec

Sheet: /
File: 7_RegB.sch

Title: B Register

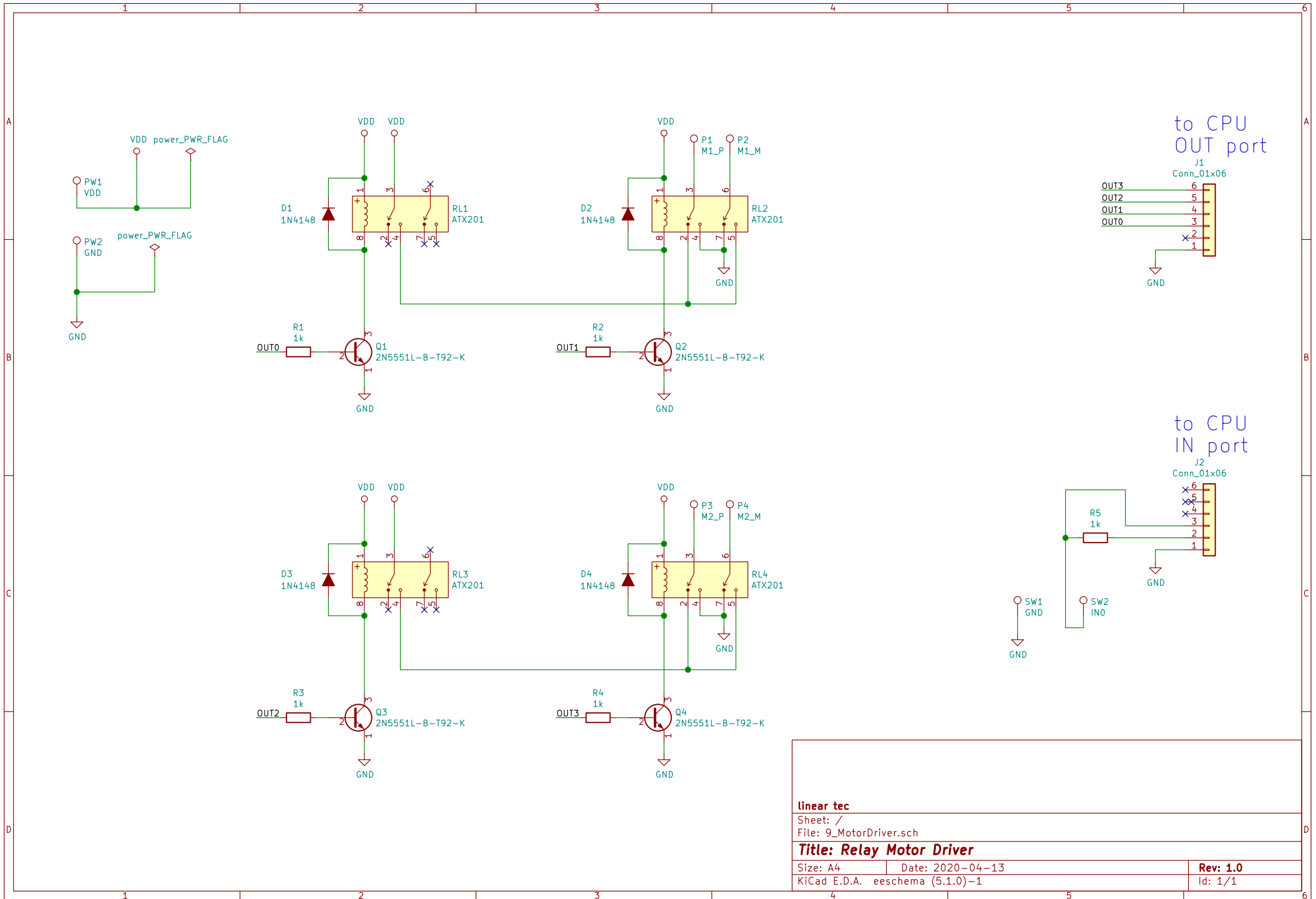
Size: A3 Date: 2020-04-13
KiCad E.D.A. eeschema (5.1.0)-1

Rev: 1.0
Id: 1/1



Universal Plate:
200 mm x 150 mm, M3 x 4

linear tec		
Sheet: /		
File: 8_IO.sch		
Title: I/O		
Size: A3	Date: 2020-04-13	Rev: 1.0
KiCad E.D.A.	eeschema (5.1.0)-1	Id: 1/1



linear tec	
Sheet: /	
File: 9_MotorDriver.sch	
Title: Relay Motor Driver	
Size: A4	Date: 2020-04-13
KiCad E.D.A. eeschema (5.1.0)-1	Rev: 1.0
Id: 1/1	